

PLEASE READ this sheet prior to assembly to familiarise yourself with the various stages of construction. Carefully open the pack supplied and check the contents against the parts and fittings check list.

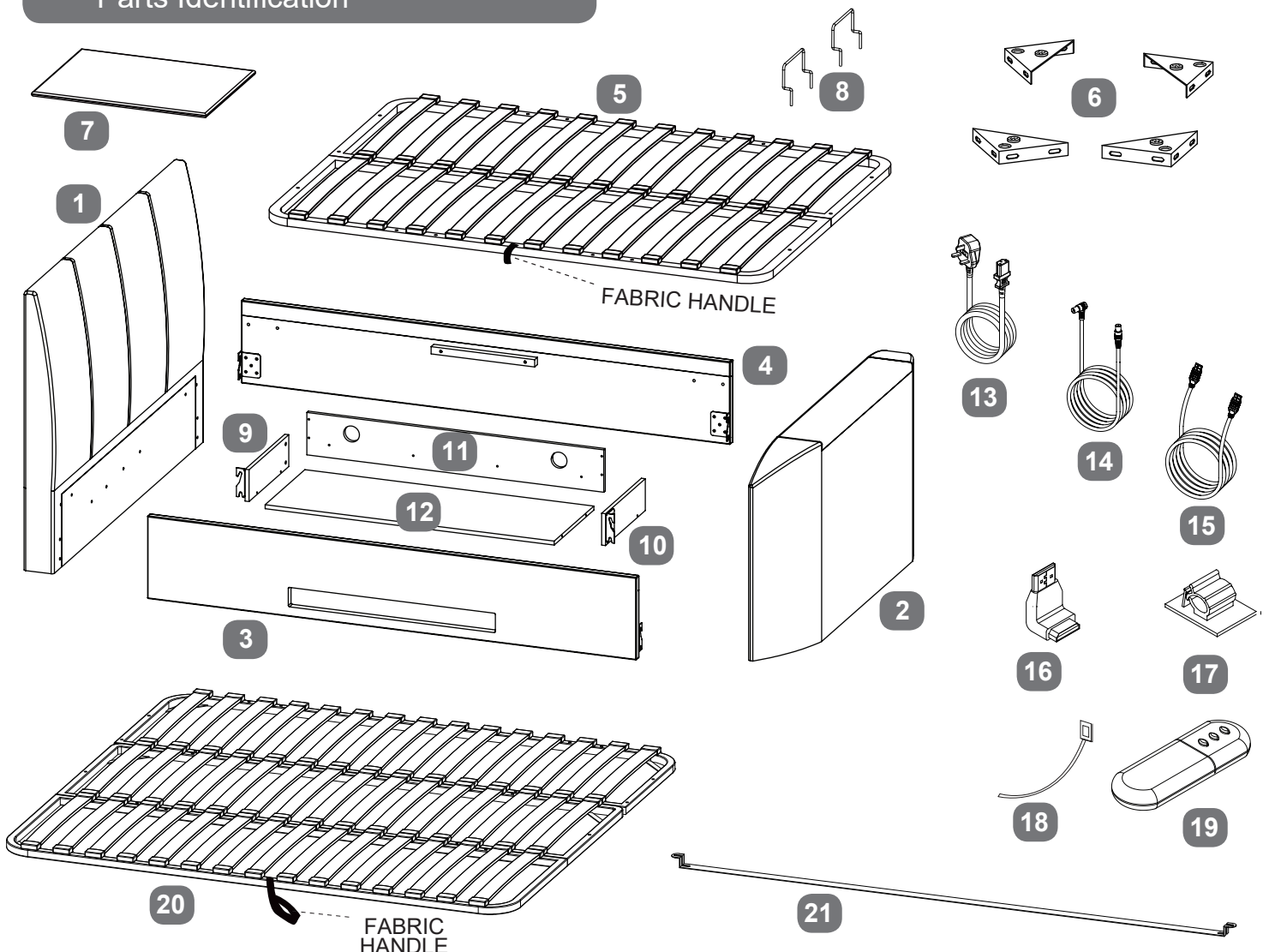
Do not destroy any of the packaging until you are certain that you have all the necessary parts for the assembly.

Please ensure that the packaging is disposed of in a safe environmentally friendly way.

CAUTION: There are small components used in the construction of this unit. These loose items should be kept away from young children during assembly, to avoid the danger of choking.

IMPORTANT: BEFORE STARTING TO ASSEMBLE THE BED - PLEASE READ THESE INSTRUCTIONS CAREFULLY.

Parts Identification



Parts Checklist

Ref.	Description	Qty	Ref.	Description	Qty
1	Headboard	1	12	Media Tray Base Panel	1
2	Footboard	1	13	Mains Power Lead - 3 mt	1
3	Side Rail - LH	1	14	Aerial Lead - 4 mt	1
4	Side Rail - RH	1	15	HDMI Leads - 2.8 Mt	2
5	Metal Slat Frame	1	16	HDMI Adaptor 90°	1
6	Angle Brackets	4	17	Cable Clips	3
7	Fabric Base Cover	1	18	Cable Ties	3
8	Mattress Stoppers	2	19	TV Lift Remote Control	1
9	Media Tray Side Panel - L	1	20	Metal Slat Frame (only for Super King Size)	1
10	Media Tray Side Panel - R	1	21	Cross Bar (only for Super King Size)	1
11	Media Tray Back Panel	1			

Fittings Checklist

HARDWARE NEEDED FOR FITTING GAS-LIFT MECHANISMS (PACK A)

Ref.	Description	Qty	Ref.	Description	Qty
A	Bolts (M8x30mm) for fitting gas-lift mechanisms (E) to headboard & footboard (1&2)	x8	E (a)	Gas-Lift Mechanisms	x1
B	Spring Washers (for M8 bolts)	x8			
C	Flat Washers (for M8 bolts)	x8	E (b)	Gas-Lift Mechanisms	x1
D	Allen Key (for M8 bolt)	x1			

HARDWARE NEEDED FOR BED ASSEMBLY (PACK B)

Ref.	Description	Qty	Ref.	Description	Qty
A	Bolts (M8x30mm) for fitting side panels (3&4) to headboard & footboard (1&2)	x24	C	Flat Washers (for M8 bolts)	x24
B	Spring Washers (for M8 bolts)	x24			

TV INSTALLATION KIT - Inside Pack (B)

a	Counter-Sunk Screws (M4x12mm)	x2	b	Allen Key (2.5mm)	x1
	Counter-Sunk Screws (M6x12mm)	x2		Allen Key (4mm)	x1
	Bolt Sets (M8x25mm)	x2		Allen Key (5mm)	x1

HARDWARE NEEDED FOR MEDIA TRAY ASSEMBLY (PACK C)

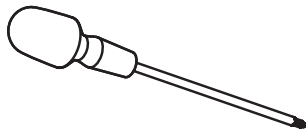
Ref.	Description	Qty	Ref.	Description	Qty
A	Bolts (M8x30mm) for fitting media tray legs (14) and fitting media tray to side panel (4)	x4	F	Screws (5x50mm) for assembling media tray panels	x12
C	Flat Washers (for M8 bolts)	x4	G	Plastic Barrel Nuts	x12

Fittings Checklist

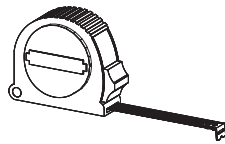
HARDWARE FOR FITTING METAL SLAT FRAME (PACK D)

Ref.	Description	Qty	Ref.	Description	Qty
B	Spring Washers (for M8 bolts)	x6	K	Flange Lock-Nuts (M8) for gas-lift pistons	x2
C	Flat Washers (for M8 bolts)	Double & King x12 Super King x18	L	Spanner (for M8 nut)	x1
H	Bolts (M8x50mm) for fitting metal slat frame (4) to gas-lift mechanisms (J)	x6	M	Metal Connection Plates (only for Super King Size)	x2
J	Nuts (for M8 slat frame bolts)	x6	N	Bolts (M8x20mm) for fitting Metal Connection Plates (M) (only for Super King Size)	x6

Additional Tools Required



Cross-head Screwdriver



Tape Measure



Please retain your assembly instruction and tools provided for future use. Periodically check that all bolts are still tight.

General Hints & Tips

Assembly requires two persons.



Approximate time to assemble this product

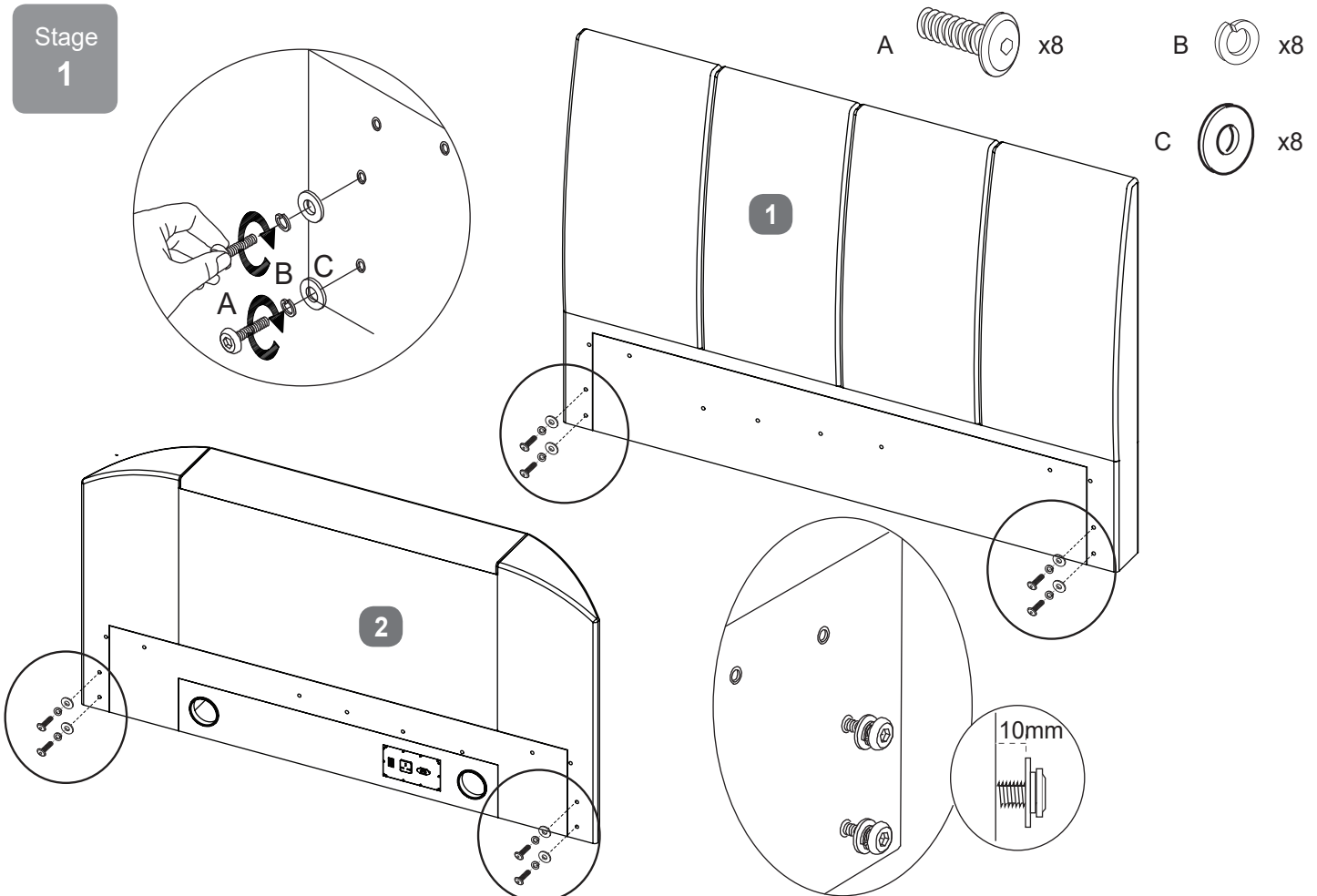
2 1/2 Hrs

Care & Maintenance

In the unlikely event of missing or damaged parts, please contact your retailer. Please have this guide at hand quoting the part code reference numbers shown when requesting spare or replacement parts.

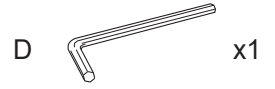
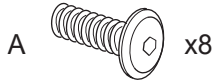
Bed Assembly - Use Pack 'B'

Stage
1

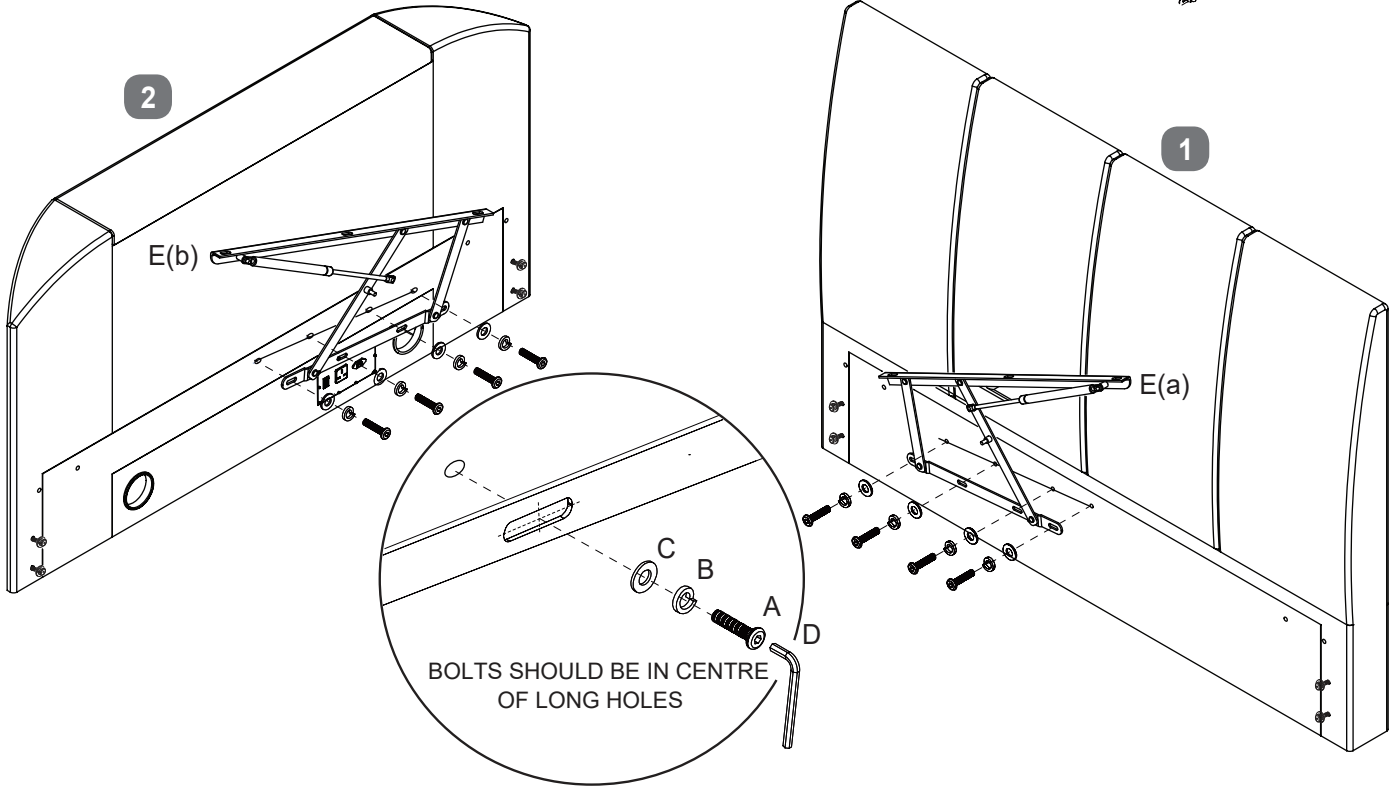
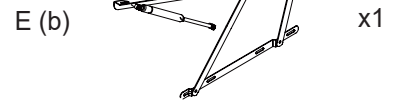
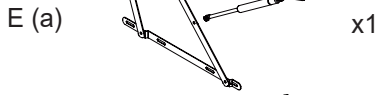


Fitting Gas-Lift Mechanisms - Use Pack 'A'

Stage
2

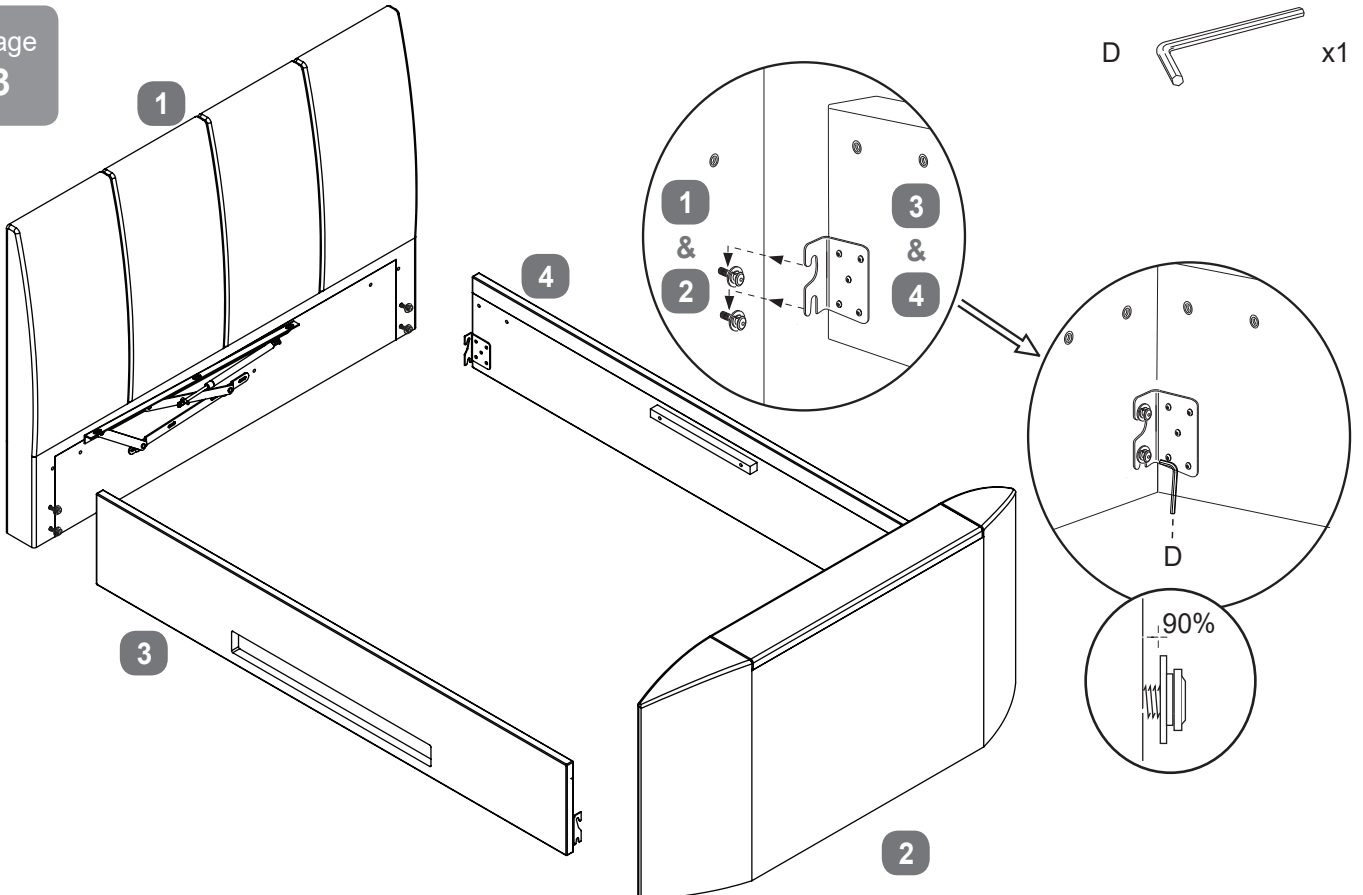
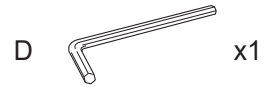


ALIGN WITH THE HOLES
MAKE SURE FIXING BOLTS ARE IN THE
CENTRE OF THE LONG HOLES



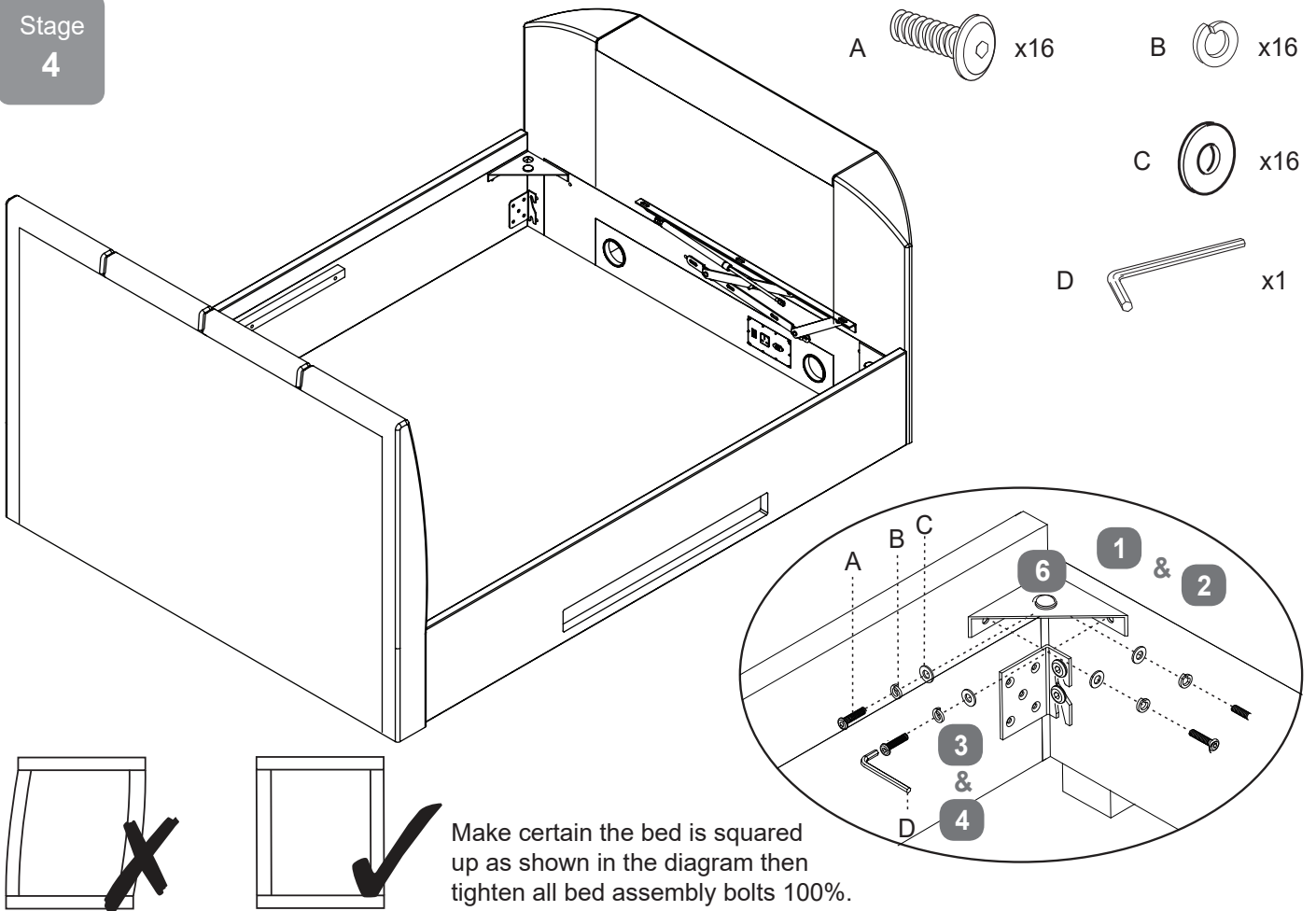
Bed Assembly - Use Pack 'B'

Stage
3



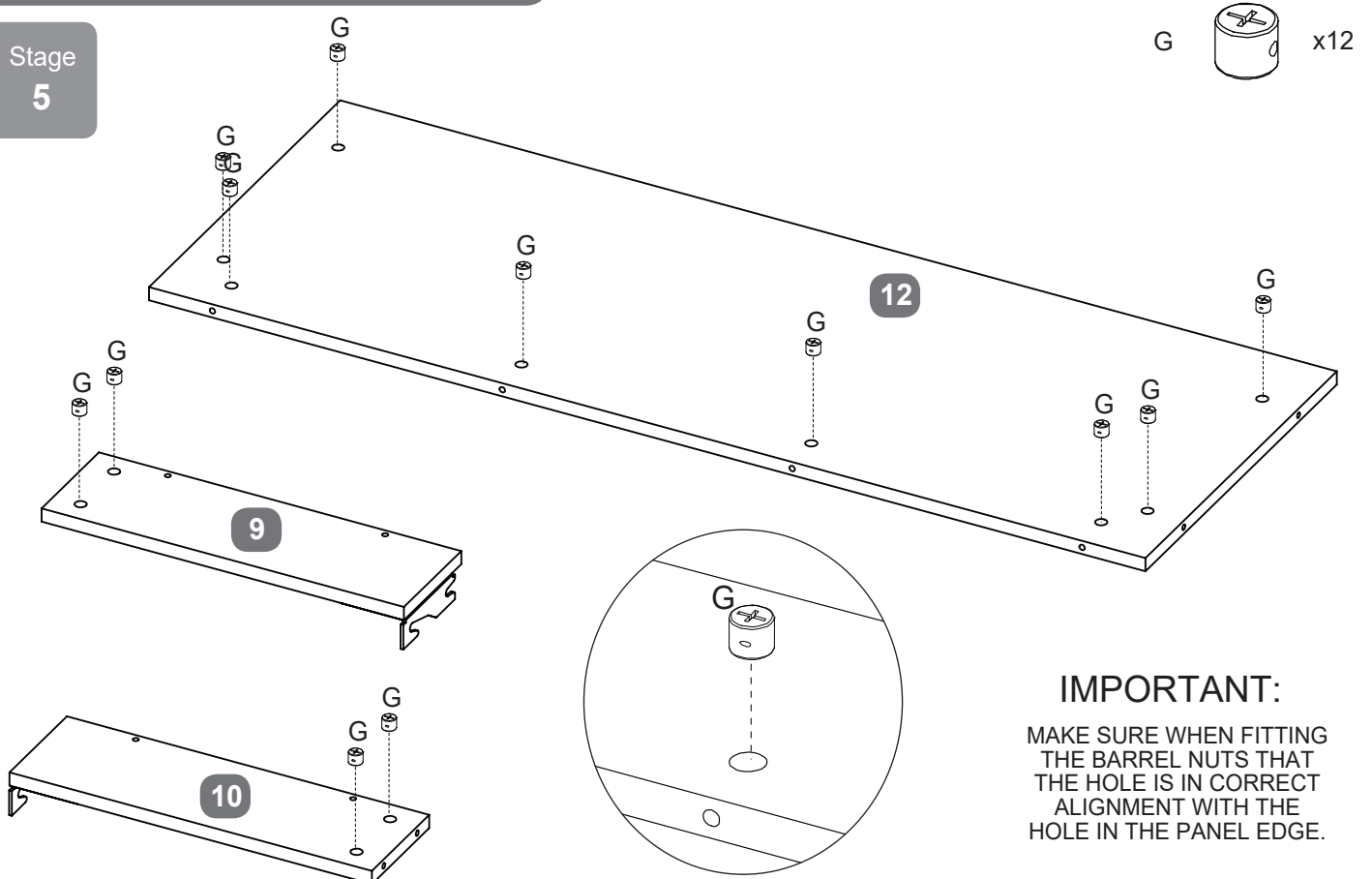
Bed Assembly - Use Pack 'B'

Stage
4



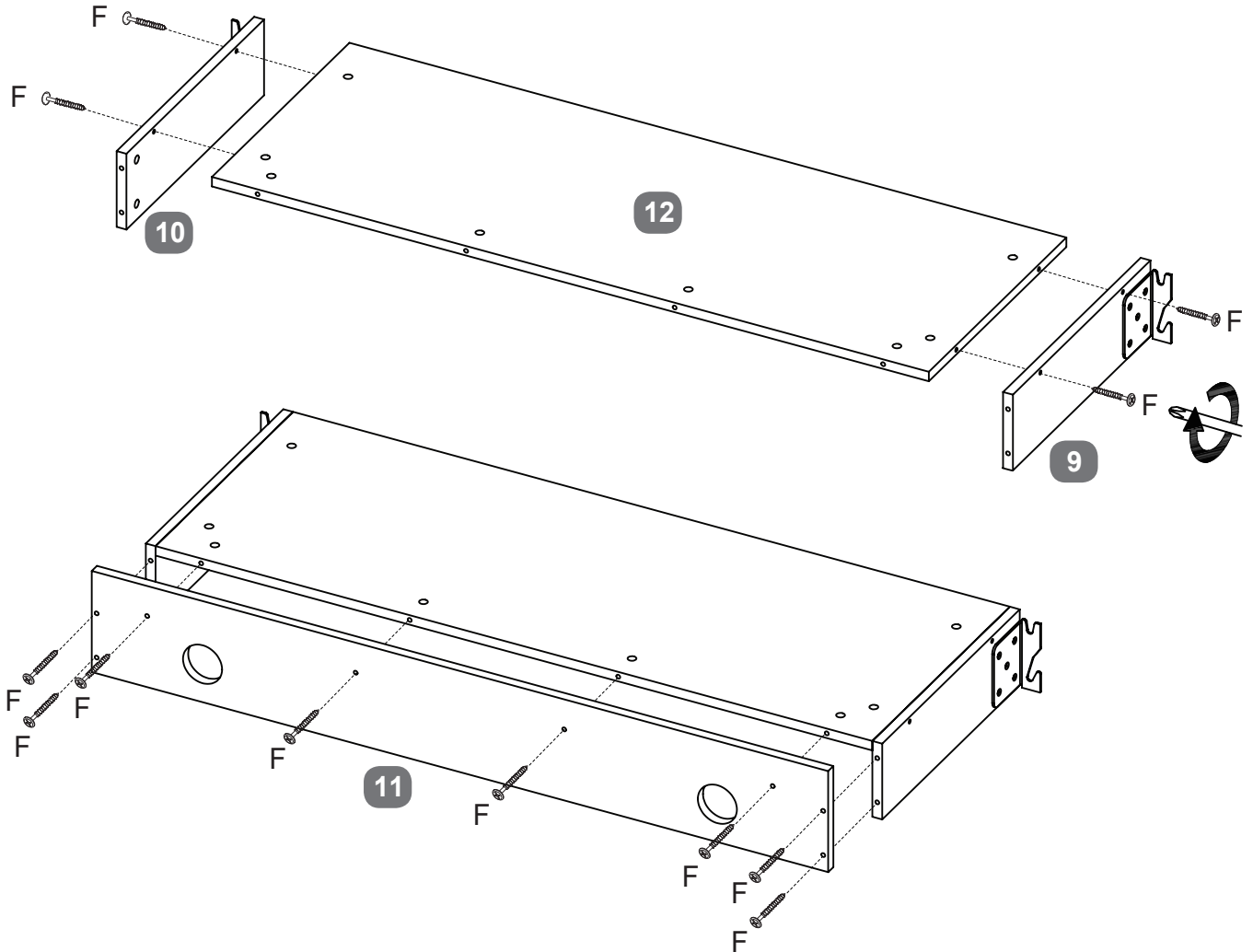
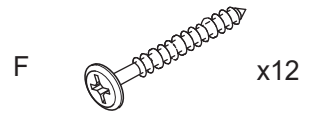
Bed Assembly - Use Pack 'C'

Stage
5



Bed Assembly - Use Pack 'C'

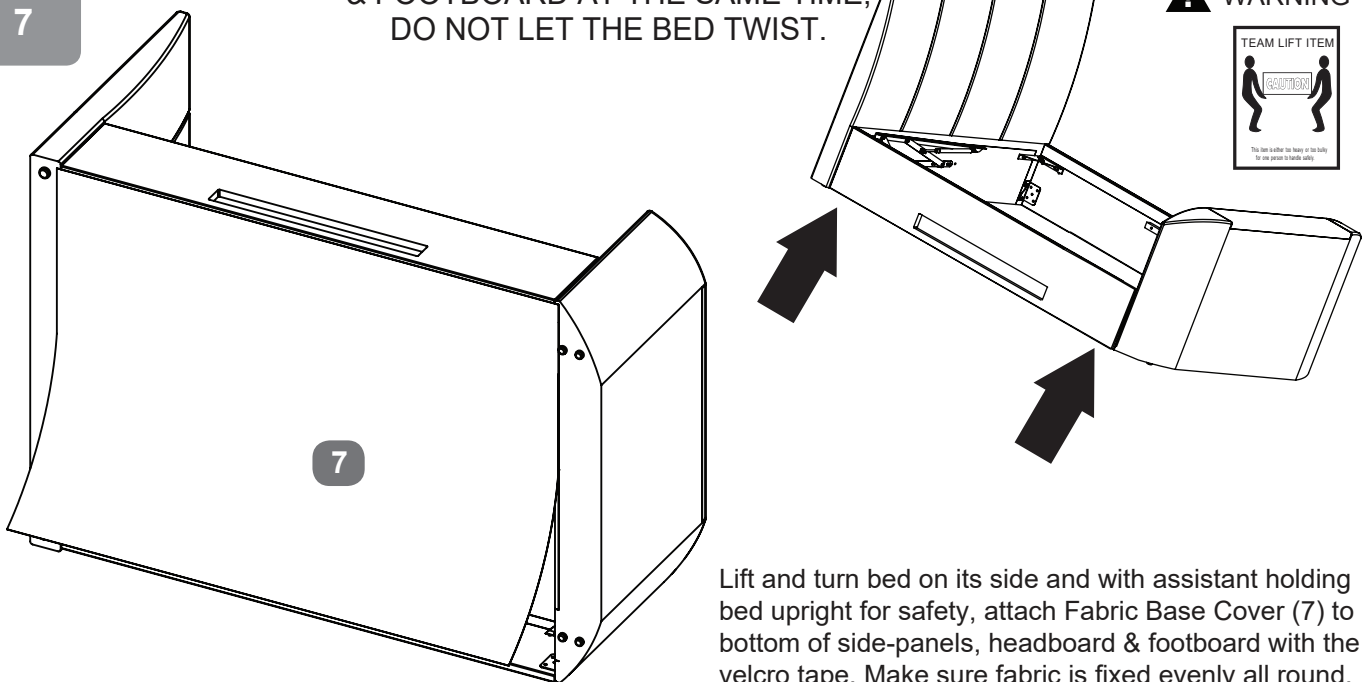
Stage
6



Stage
7

WARNING CAREFULLY LIFT BOTH HEADBOARD & FOOTBOARD AT THE SAME TIME, DO NOT LET THE BED TWIST.

WARNING



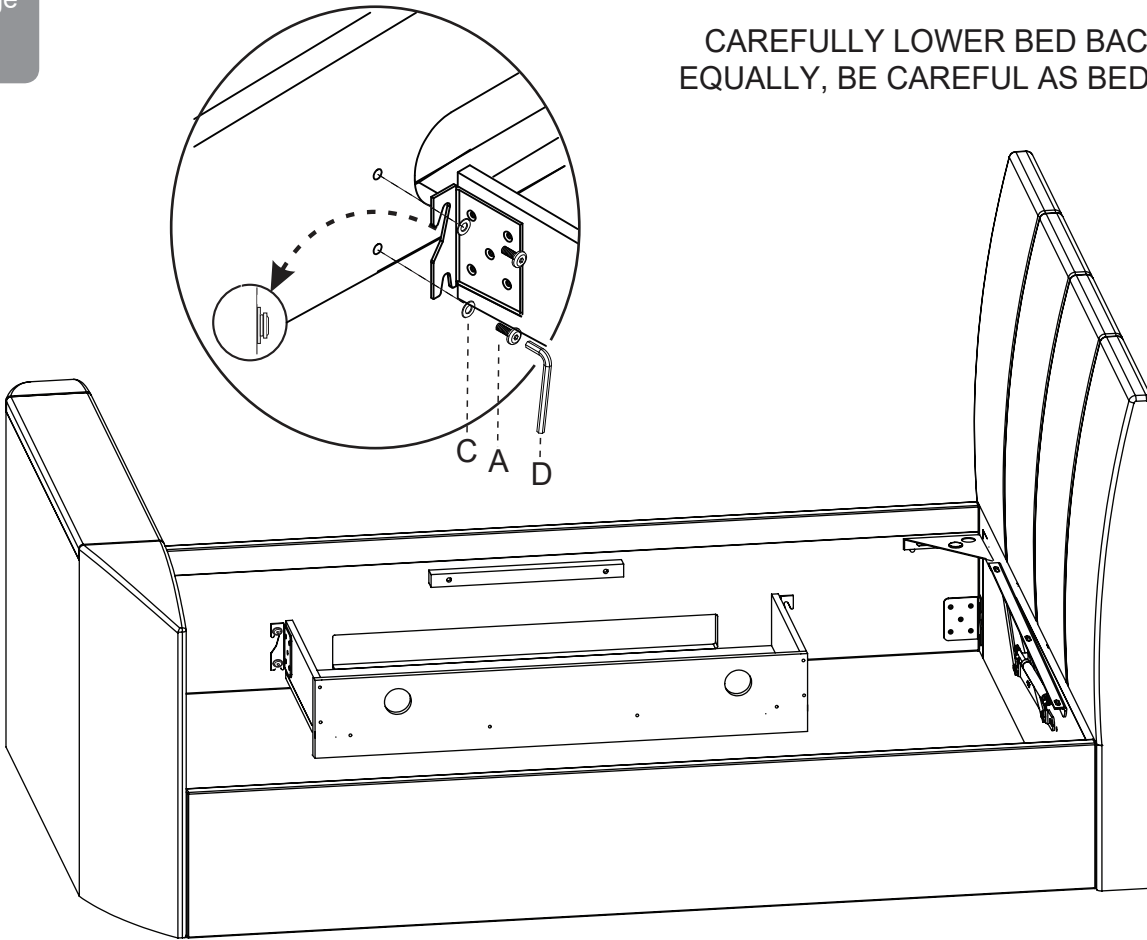
Lift and turn bed on its side and with assistant holding bed upright for safety, attach Fabric Base Cover (7) to bottom of side-panels, headboard & footboard with the velcro tape. Make sure fabric is fixed evenly all round.

Bed Assembly - Use Pack 'C'

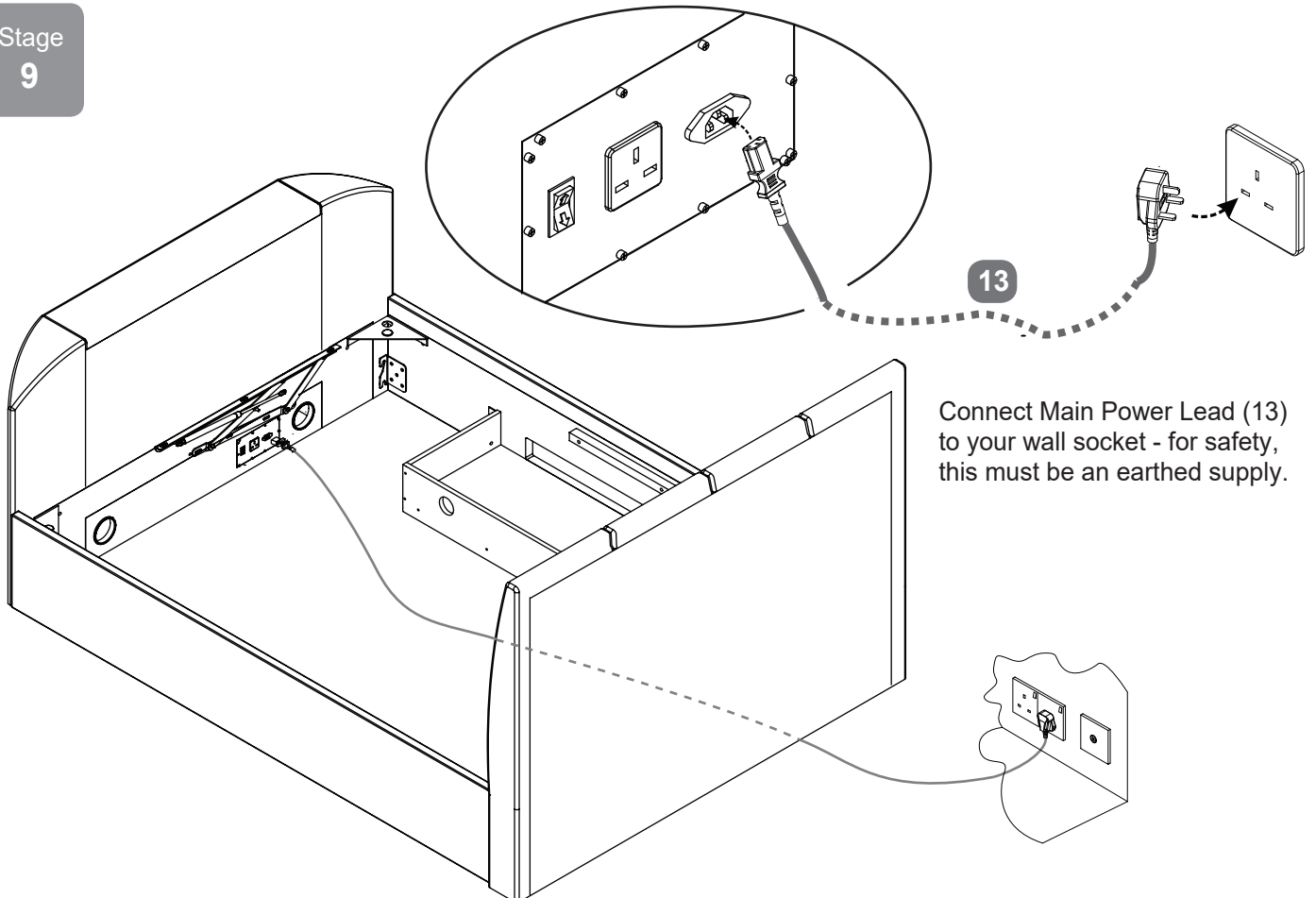
- A  x4
- C  x4
- D  x1

Stage
8

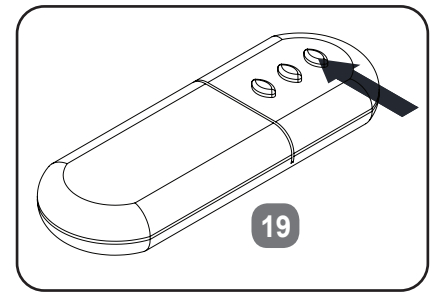
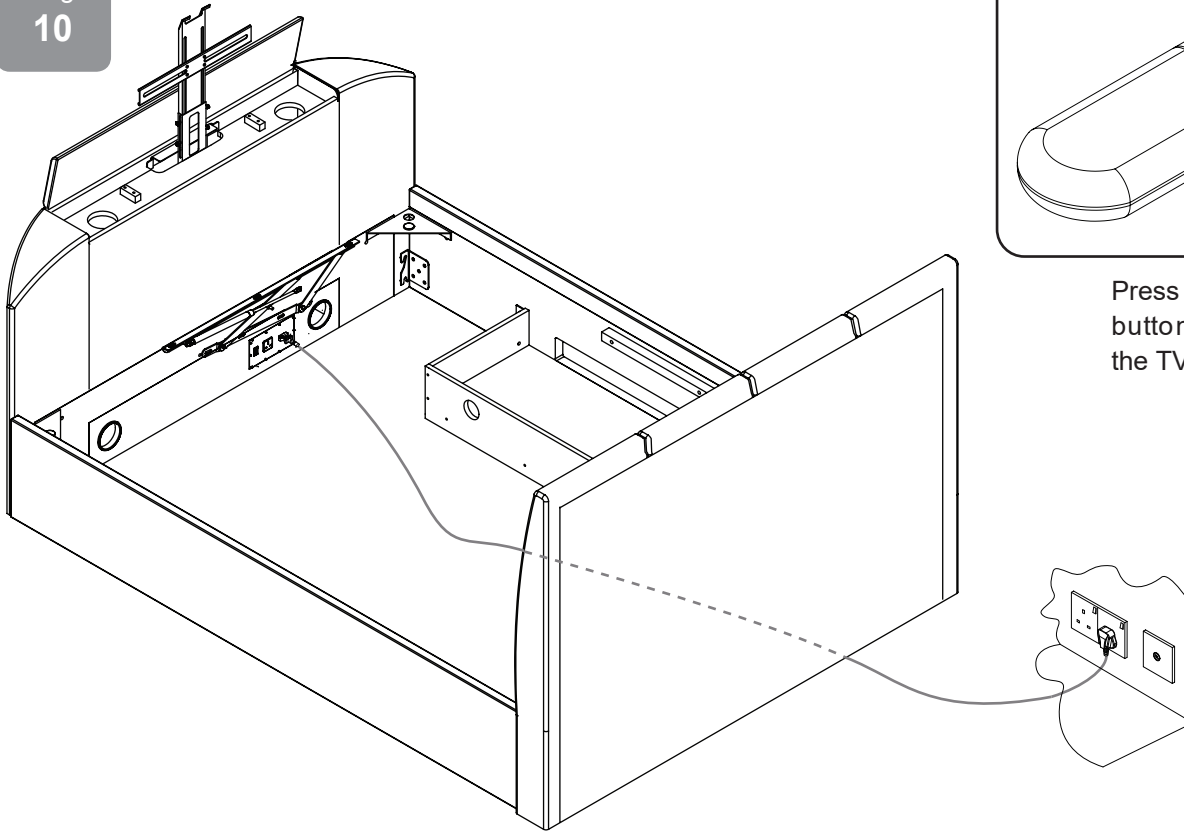
CAREFULLY LOWER BED BACK DOWN
EQUALLY, BE CAREFUL AS BED IS HEAVY



Stage
9



Stage
10



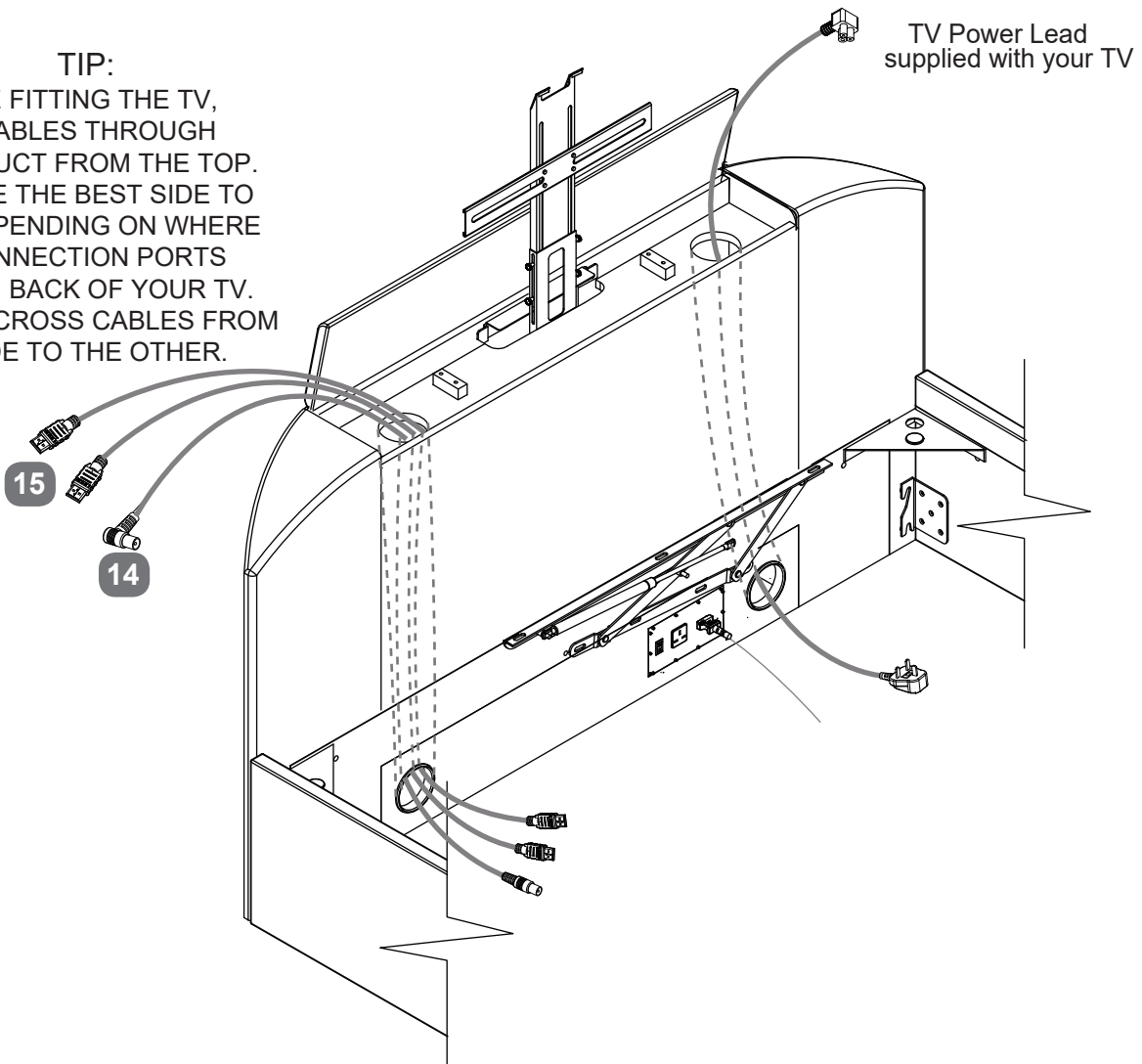
Press the "UP"
button to raise
the TV lift.

Stage
11

**Note: For illustration purposes
only, TV connections may vary.**

TIP:

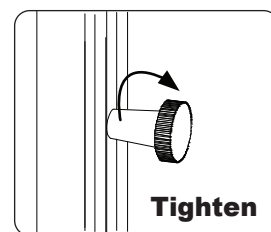
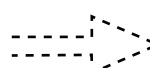
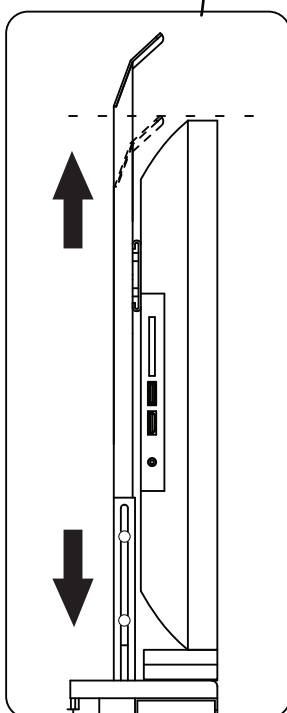
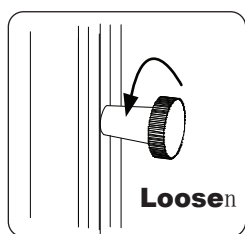
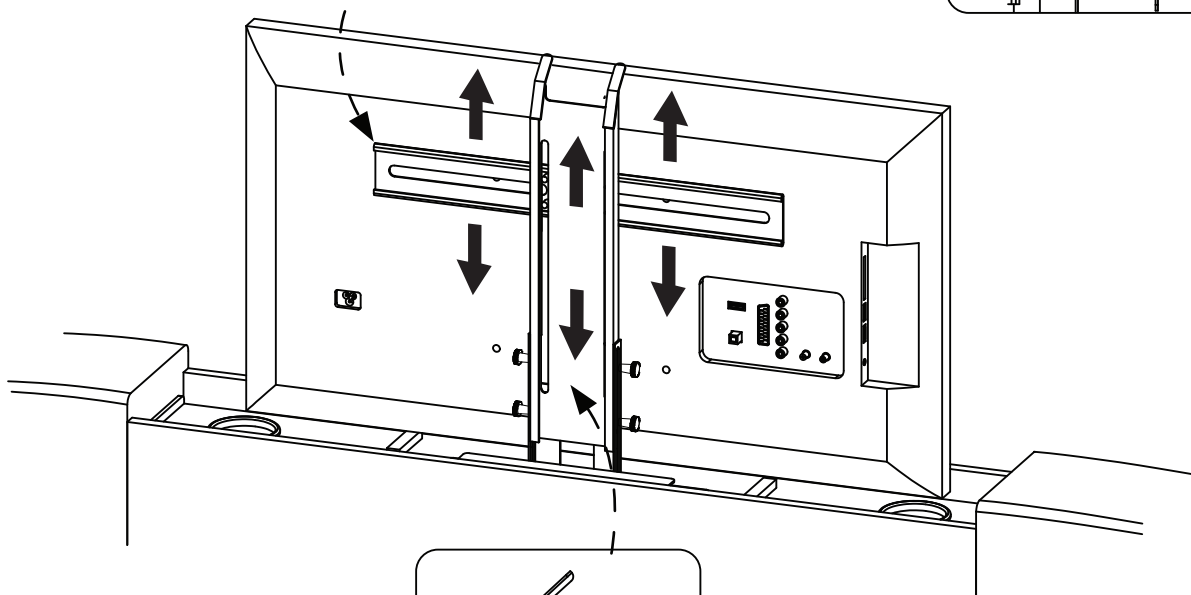
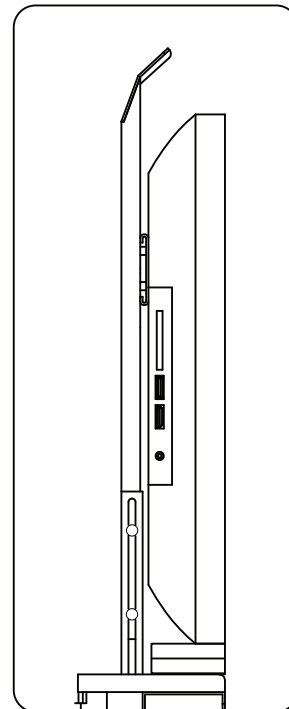
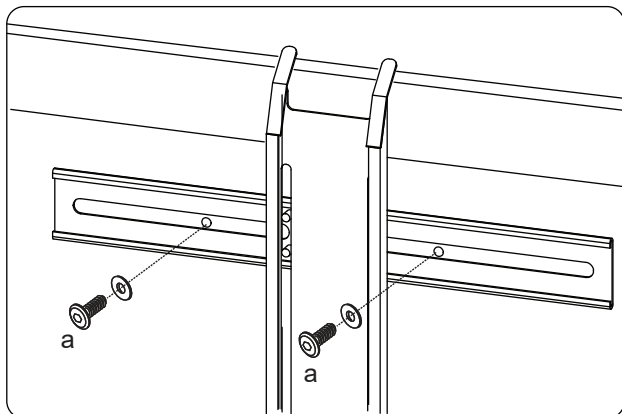
BEFORE FITTING THE TV,
PUSH CABLES THROUGH
EACH DUCT FROM THE TOP.
CHOOSE THE BEST SIDE TO
USE DEPENDING ON WHERE
THE CONNECTION PORTS
ARE, ON BACK OF YOUR TV.
NEVER CROSS CABLES FROM
ONE SIDE TO THE OTHER.



Stage
12

TV INSTALLATION KIT

- a Screw-Washer set (M8/M6/M4) x2
- b Allen Key (5mm/4mm/2.5mm) x1

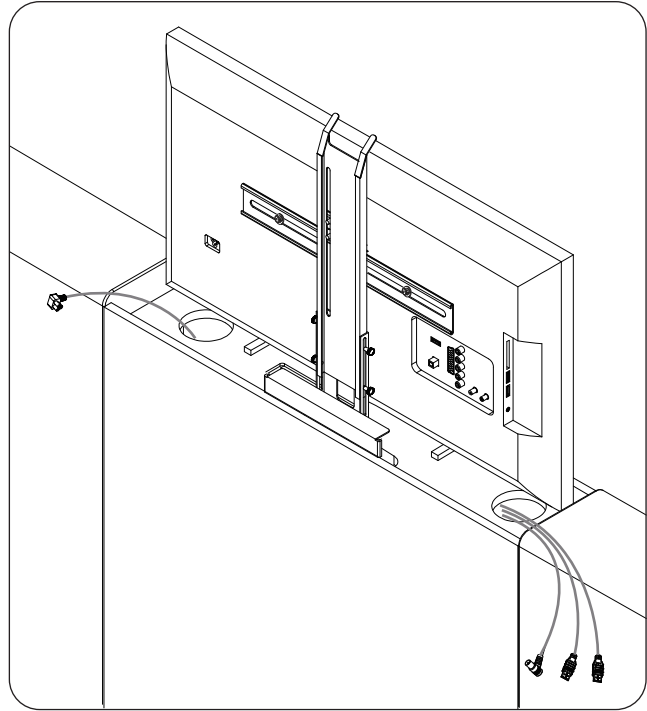
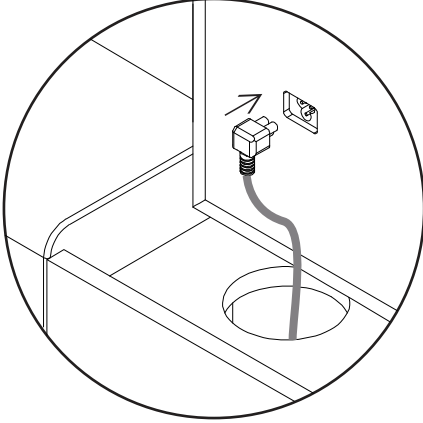


Bed Assembly - Use Pack 'C'

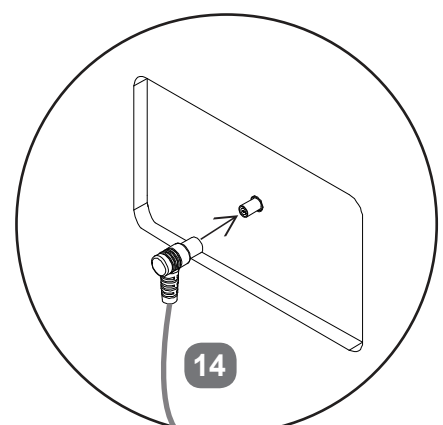
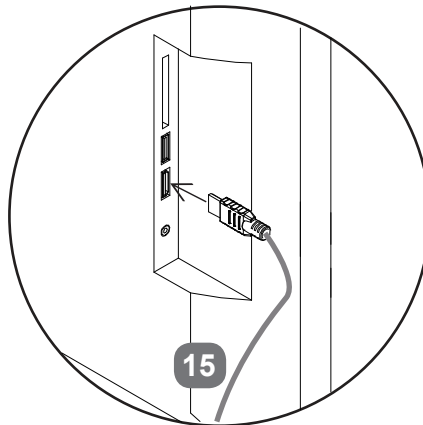
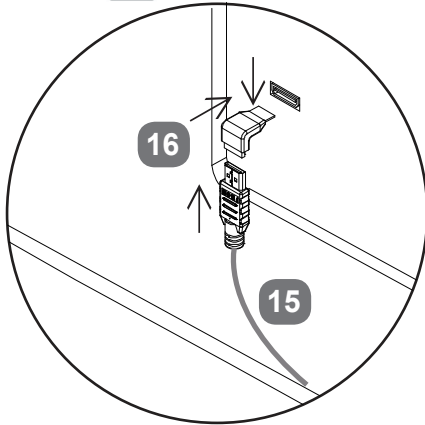
Stage
13

Note: For illustration purposes only, TV connections may vary.

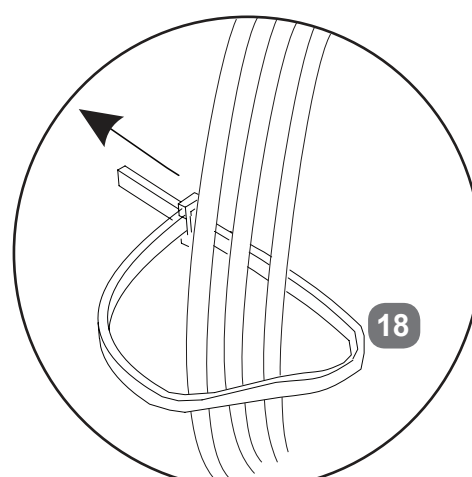
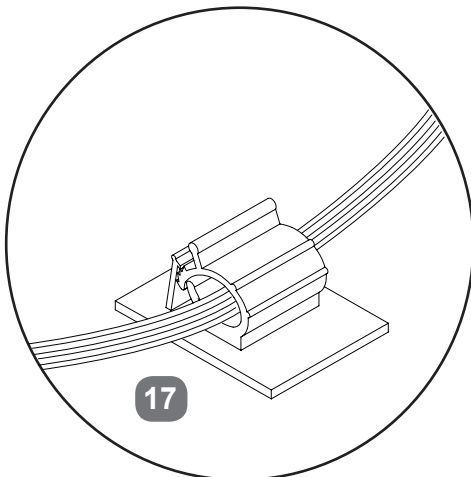
TV Power Lead
supplied with your TV



90° ADAPTOR



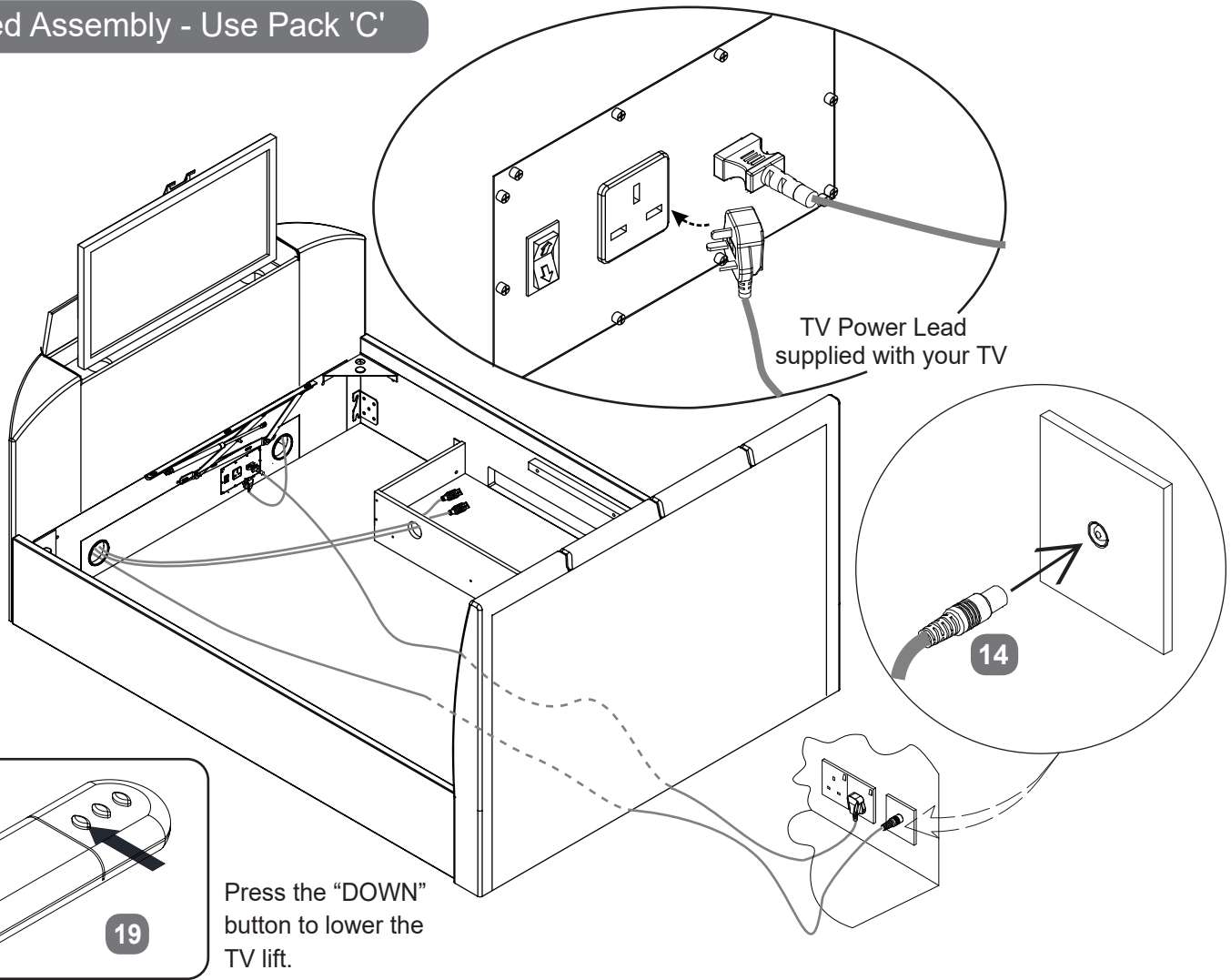
**PLUG IN - KEEP ALL CABLES TIGHT
- USE CLIPS & TIES PROVIDED.**



Keep wires tight - peel
off cover from cable clips
& adhere to back of TV.

Bed Assembly - Use Pack 'C'

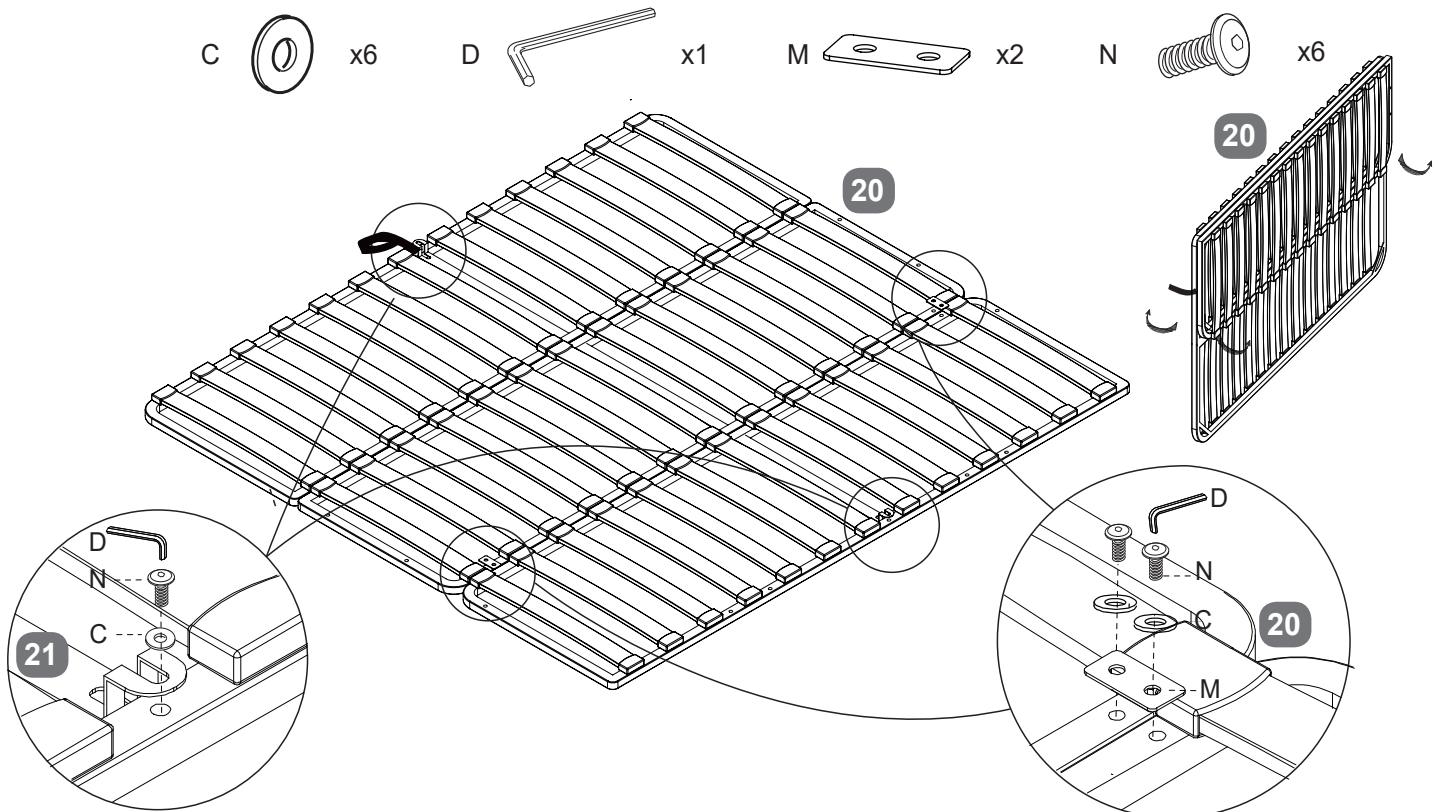
Stage
14



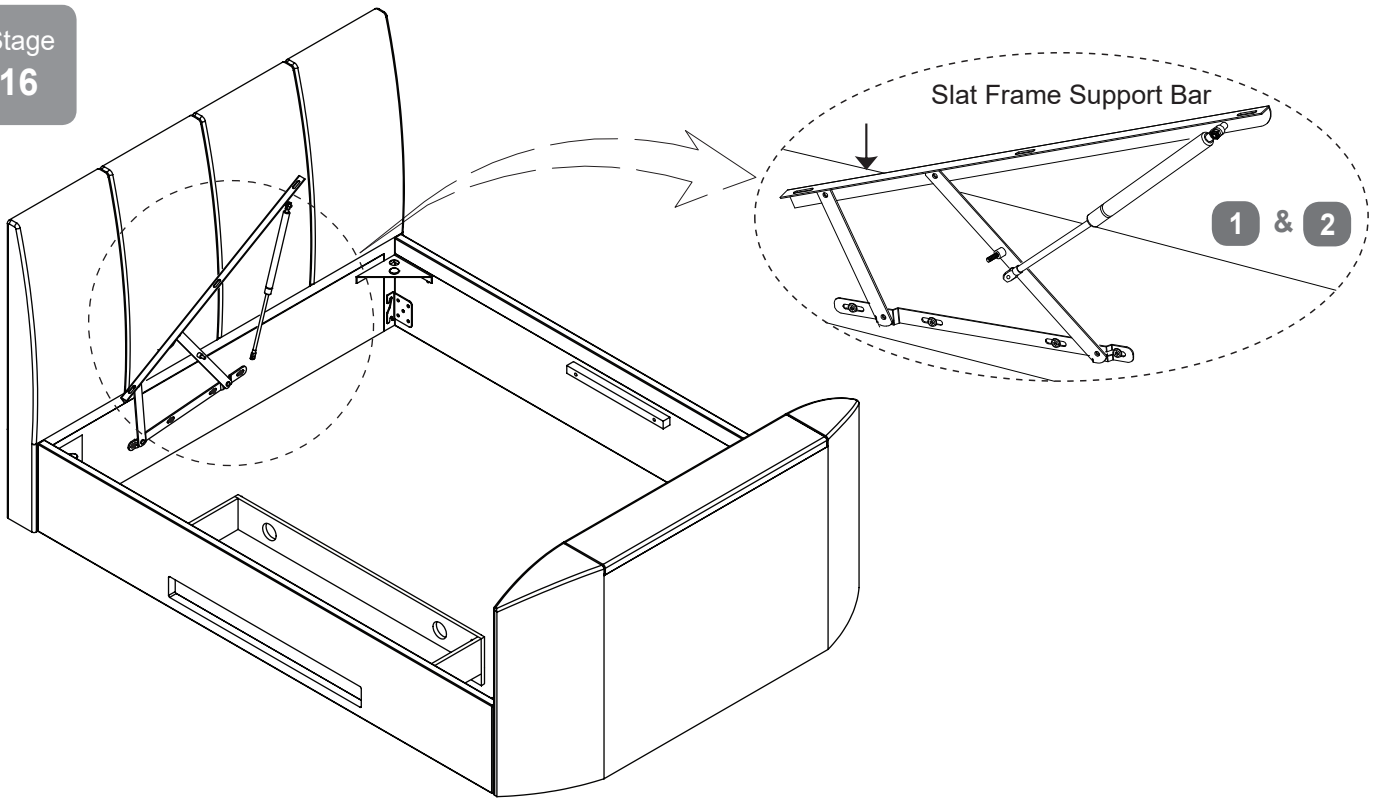
Stage
15

If you purchased Double or King size, unfold slat frame and then follow Stage 16 onwards.

If you purchased Super King size, first un-fold metal slat frame (20), fit the cross bar (21) then follow Stage 16 onwards.



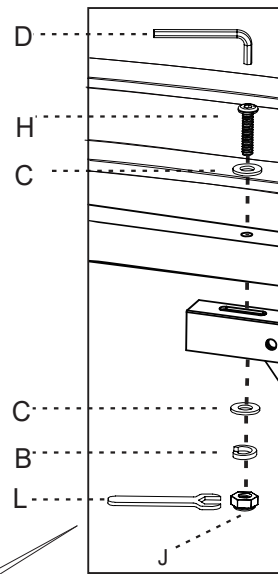
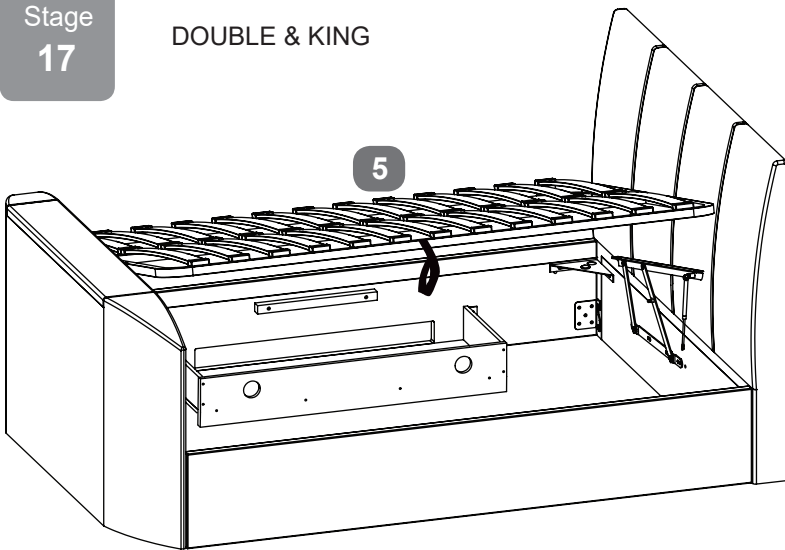
Stage
16



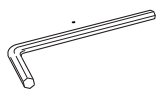
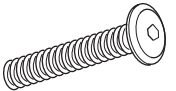




Bed Assembly - Use Pack 'D'

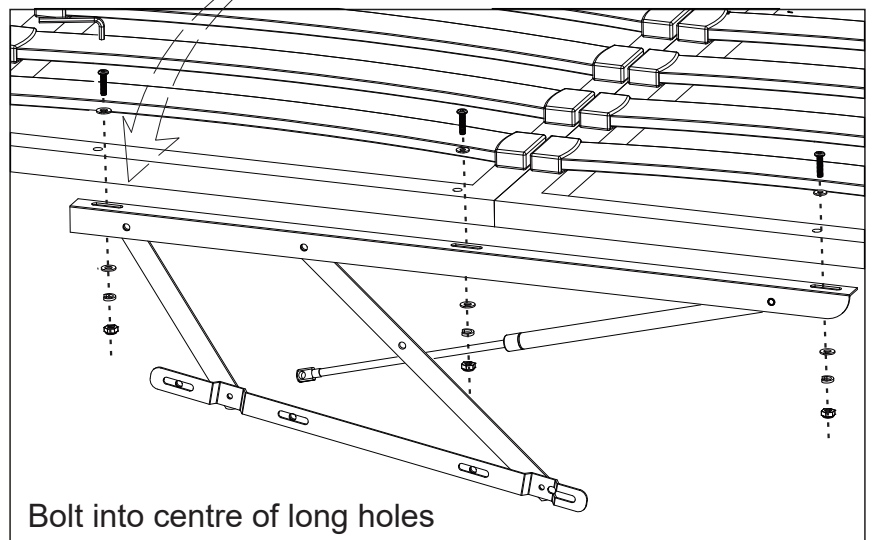
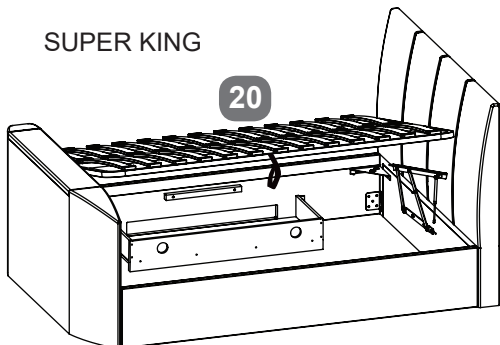
Stage
17

DOUBLE & KING



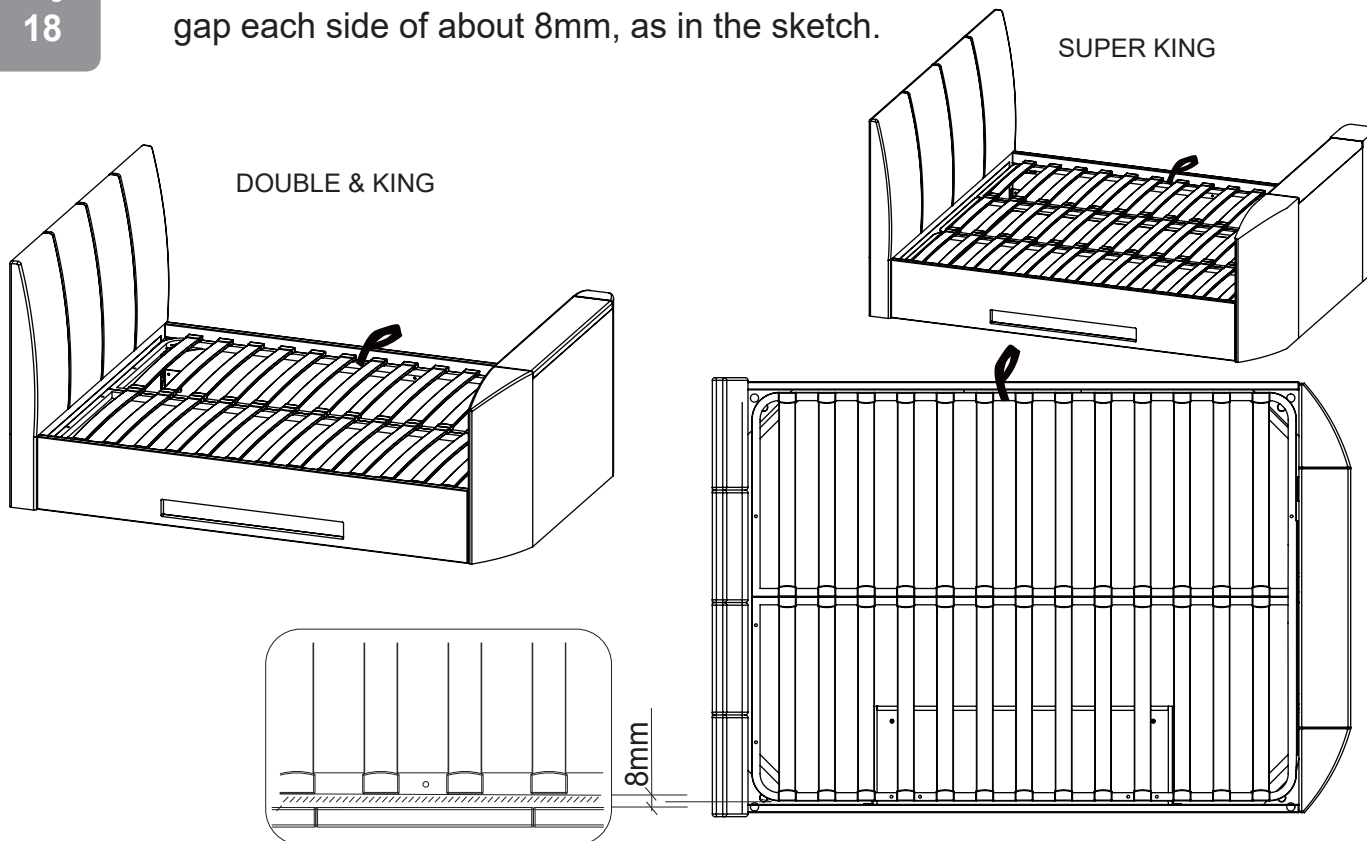
- B  x6
- C  x12
- D  x1
- H  x6
- J  x6
- L  x1

SUPER KING

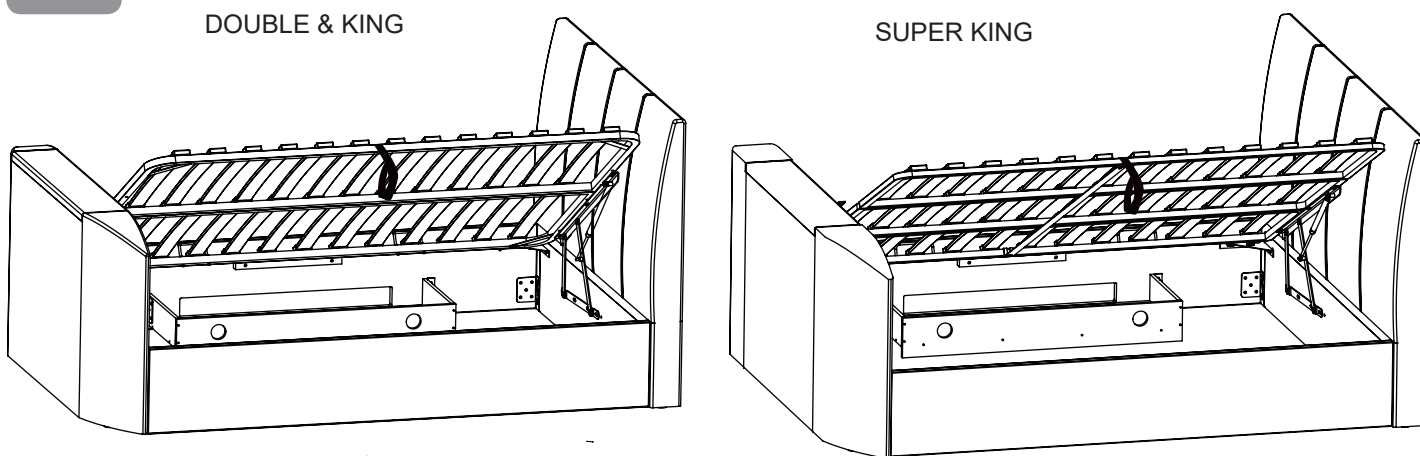


Stage
18

Carefully lay frame down. Make sure there is an even gap each side of about 8mm, as in the sketch.

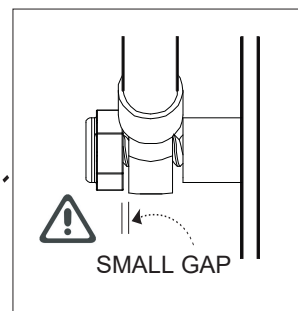
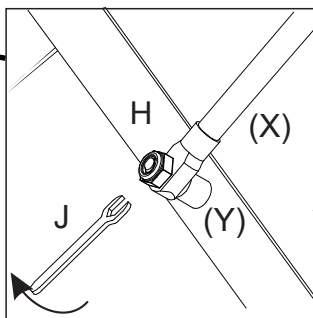
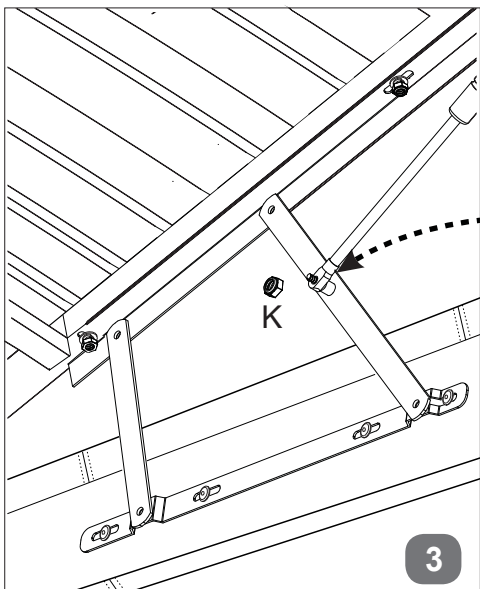


Stage
19



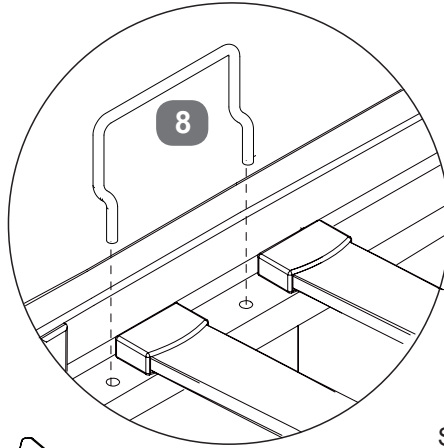
During this next step, the assistant should hold up the slat frame.

On side rails (3&4) slide gas-lift piston stems (X) onto the axes (Y) then fit the flange lock-nuts (H).



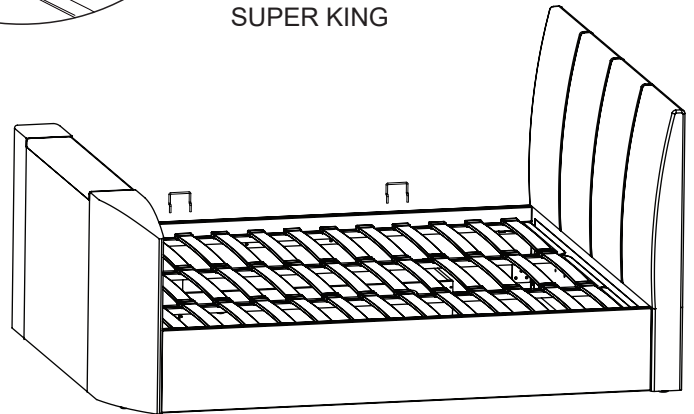
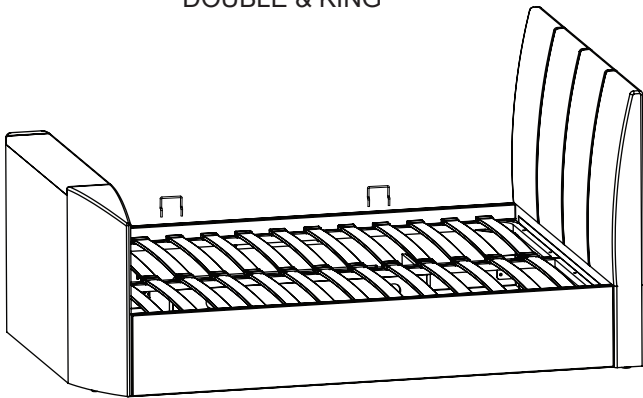
Tighten nuts with spanner (J) - but **DO NOT** over-tighten. A small gap is left so stems can move freely - this is important - see sketch above.

Stage
20

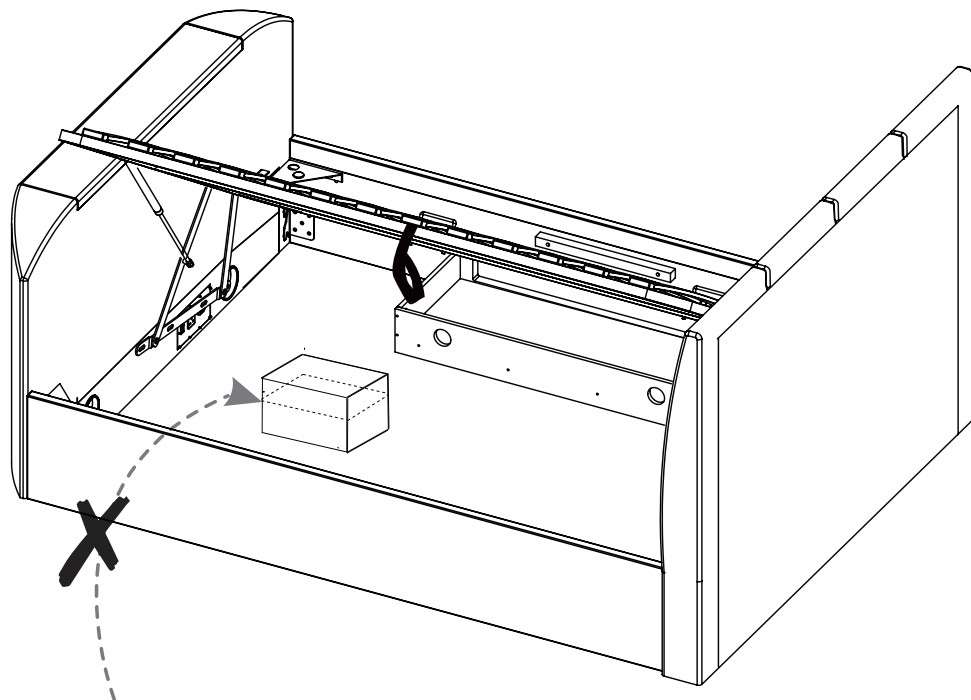


DOUBLE & KING

SUPER KING



Stage
21



Note: Be very careful what you store under the bed -the top of an item, like a suitcase or a box, must not touch the slats or they shall be damaged. Maximum storage height is 260mm.



NOTE: Before moving the slat frame, mattress must be placed on the slats or the speed of upward movement is very high and may cause injury. Lift frame with the hand-strap then slowly push down ensuring the edges are aligned with the side panels. If not aligned, check bed is still square (see Step 4). Depending on the weight of the mattress, the speed of the lift will vary so be careful until you get used to the speed. Always use the strap to lift or lower the frame - keep fingers well away from the moving parts.

NOTE: With mattress in place, move the frame up & down five times to lubricate the pistons.



GENERAL INFORMATION

It is very important not to place any vessel containing liquids, e.g. drinks or vase of flowers, on top of the TV footboard which may accidentally spill and enter the TV compartment as this could cause damage to the TV and/or the TV lifting equipment.

If this happens, please contact your retailer.

Do not expose the bed to an undue level of heat - keep away from radiators.

Never allow anyone to sit on the foot end of the bed - keep children well away from moving parts.

To keep bed clean, we recommend that it be wiped over with a slightly dampened cloth or if fabric, use a light vacuum cleaner; disconnect power before cleaning.

Supplied with the bed is a remote control to operate the TV Lift and when you fit your own TV there is a remote control to operate it as well. Both these remotes use batteries - there are no batteries in the rest of the equipment.

There are strict controls for disposal of batteries - your local council can advise on how to safely dispose of them.

Never burn batteries on an open fire as they could explode.

IMPORTANT POWER INFORMATION

It is essential that the Mains Power Lead (13) is connected to an earthed socket be it a wall socket or extension lead - otherwise there is risk of damage or even electric-shock.

The socket providing the power must be accessible at all times in case you need to switch off the power quickly.

During an electrical or lightning storm - disconnect the power completely as a precaution.

Always un-plug the power when going on holiday or when the bed is not used for an extended period.

If you have young children in the home always disconnect the power at the wall socket for extra safety.

Power outlets, extension leads or adaptors must not be overloaded beyond their limit - this can result in fire or electric shock.

Leads supplied with this bed, or other approved mains powered extension leads used to power the equipment, must not be placed where they can be walked on - this is dangerous and could lead to accidents.

Do not interfere with or modify any cables already fitted and do not add any extra media leads unless they are routed through the ducts as shown in Stage 11. All leads must be tightly connected to back of TV, never hanging loose.

Never touch moving parts or any part of the equipment - if something needs to be checked, disconnect the power first.

Do not insert anything into the footboard as this could seriously damage the TV and/or the TV lifting equipment and could, if done carelessly, cause serious damage or injury.

If the equipment doesn't operate normally or if there is any unusual noises, disconnect the power.

IMPORTANT: Care should be taken when connecting electrical items. If you are in any doubt about the connections please consult an approved electrician. If you still have a problem please contact your retailer for advice.

TELEVISION INSTALLATION

Before fixing the slats to the bed, please follow the television installation instructions below.

Raise the TV Lift by pressing the TOP button of the remote control.

Connect the TV using the TV Installation Kit packed in the main hardware pack.

Connect the TV to the mounting bracket plate as in Stage 12.

If necessary mounting plate can easily be adjusted to move TV up or down.

Connect the TV Power Lead (supplied with TV) by passing plug down one of the ducts, plugging it into the adaptor then into the TV power socket which is on the face of footboard - see Stage 14. This socket is only to be used for the TV.

Connect the Aerial & HDMI cable (14&15) by passing down the appropriate duct - see Stage 11.

If required, connect your own media cables through either of the ducts - connect your media equipment when ready. Please use the cable clips & cable ties to make certain there are no loose wires to snag or get trapped.

The TV can now be operated following the TV Operation Guide supplied with your TV.

When finished viewing, lower the TV back into the footboard by pressing DOWN button of the remote control.

The TV will retract into the footboard automatically - power shall be turned off when TV reaches the bottom.

When the UP button is pressed - the TV Lifting Column rises and power to the TV turns back on automatically.

TROUBLE SHOOTING

If your equipment does not operate please check all the power connections, to the wall and to the socket in the footboard.

Make sure TV is switched on. (Note: TV will only work when it is in the up position).

If the television or TV Lift still fails to operate contact your retailer.

IMPORTANT: Care should be taken when connecting electrical items. If in any doubt please consult an approved electrician to advise you on the electrical supply to achieve safe connections, to the electrical equipment of the TV Bed.

Occasionally, due to atmospheric conditions or when re-placing the remote control, one needs to re-pair the system.

- 1) Turn off all power
- 2) Press up or down button on TV Bed remote control keeping it pressed.
- 3) Turn power back on.
- 4) The remote control is now paired.